

**NOTES**

1. WHEN THIS DRAWING IS USED AS AN ORDER SUBMITTAL, IT MUST BE SIGNED, AND AN ORDER SUBMITTAL FORM MUST BE INCLUDED.
2. 30 YEAR WARRANTY COVERAGE - SEE INTERCEPTOR LIMITED WARRANTY FOR DETAILS
3. OPTIONAL ACCESSORIES (LEVEL ALARMS) ARE ALSO AVAILABLE.
4. ALL UPC LABELED GREASE INTERCEPTORS MUST SHIP FROM THE ANAHEIM FACILITY.

**DESIGN PARAMETERS**

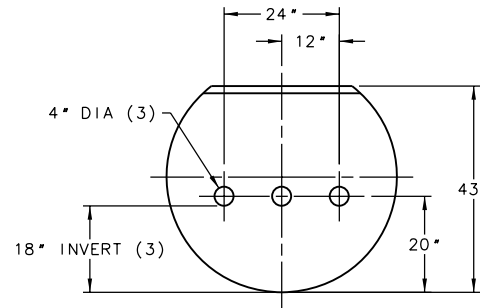
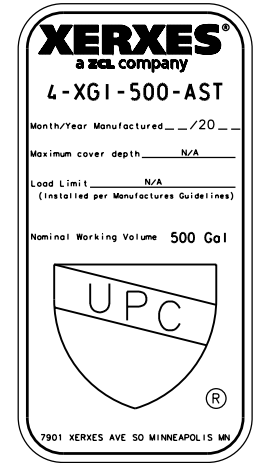
1. TANK SIZE: 4' DIA SINGLE-WALL, 48 1/2" O.D.
2. NOMINAL TANK CAPACITY: 600 GALLONS.
3. NOMINAL TANK WEIGHT: 800 LBS.
4. INVERT DIMENSION FROM GRADE.
5. CAPACITY AT FLOW LINE: 515 GALLONS.
6. MAX GREASE CAPACITY: 311 GALLONS.
7. MAX SOLIDS CAPACITY: 152 GALLONS.

**APPROVAL**

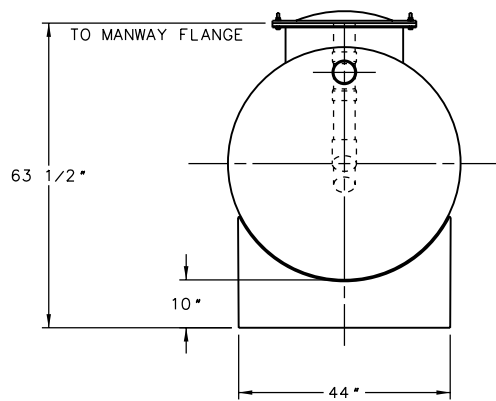
THE UNDERSIGNED ACKNOWLEDGES AND AGREES TO THE USE AND DESIGN PARAMETERS AS DETAILED ON THIS DRAWING AND IN THE ACCOMPANYING ORDER SUBMITTAL FORM AND HEREBY APPROVES FABRICATION.

SIGNATURE \_\_\_\_\_

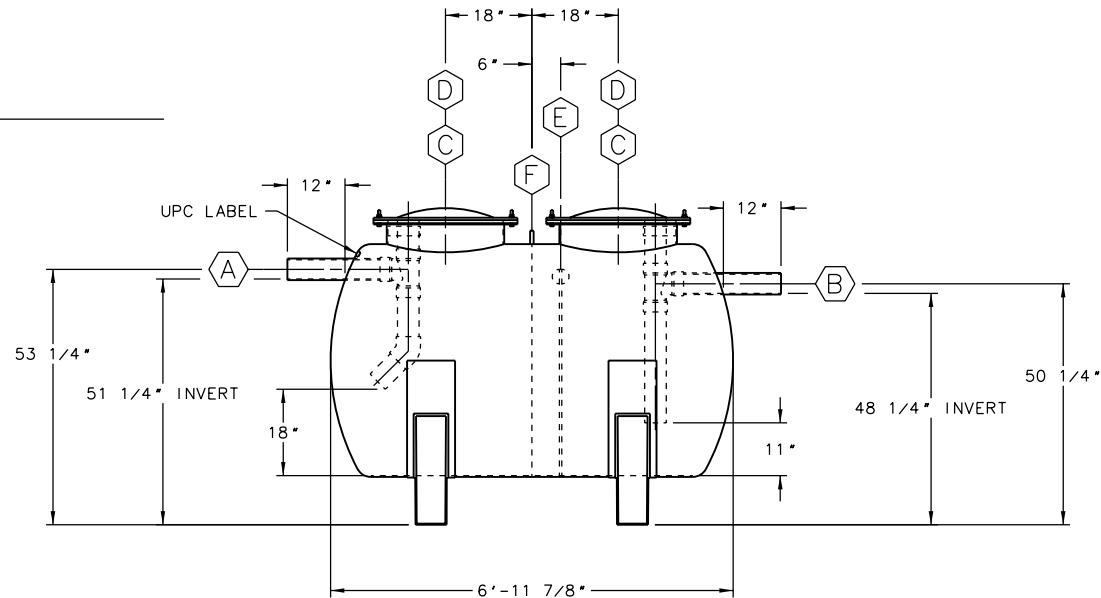
PRINTED NAME \_\_\_\_\_ DATE \_\_\_\_\_



**BAFFLE DETAIL**



**END VIEW**



ITEM	QTY	DESCRIPTION
(A)	1	4"DIA SCH 40 PVC INLET PIPE WITH INTERNAL SANITARY TEE, PIPES & 45° ELBOW
(B)	1	4"DIA SCH 40 PVC OUTLET PIPE WITH INTERNAL SANITARY TEE & PIPES
(C)	2	24"DIA MANWAY WITH FRP COVER (30" OD FLANGE)
(D)	2	STUD BOLT RING FOR 24"DIA MANWAYS (30" OD FLANGE)
(E)	1	43" HIGH PLATE BAFFLE WITH 3-4"DIA HOLES (18" INVERT)
(F)	1	LIFTING LUG

**ZCL® | XERXES®**

TITLE  
**MODEL GI-4-500-UPC-AST  
 GREASE INTERCEPTOR**

DATE 1-17 DR. NO. S11-941.00

INDUSTRY TYPE: M210 PLUMBING ENGINEERED SOLUTIONS